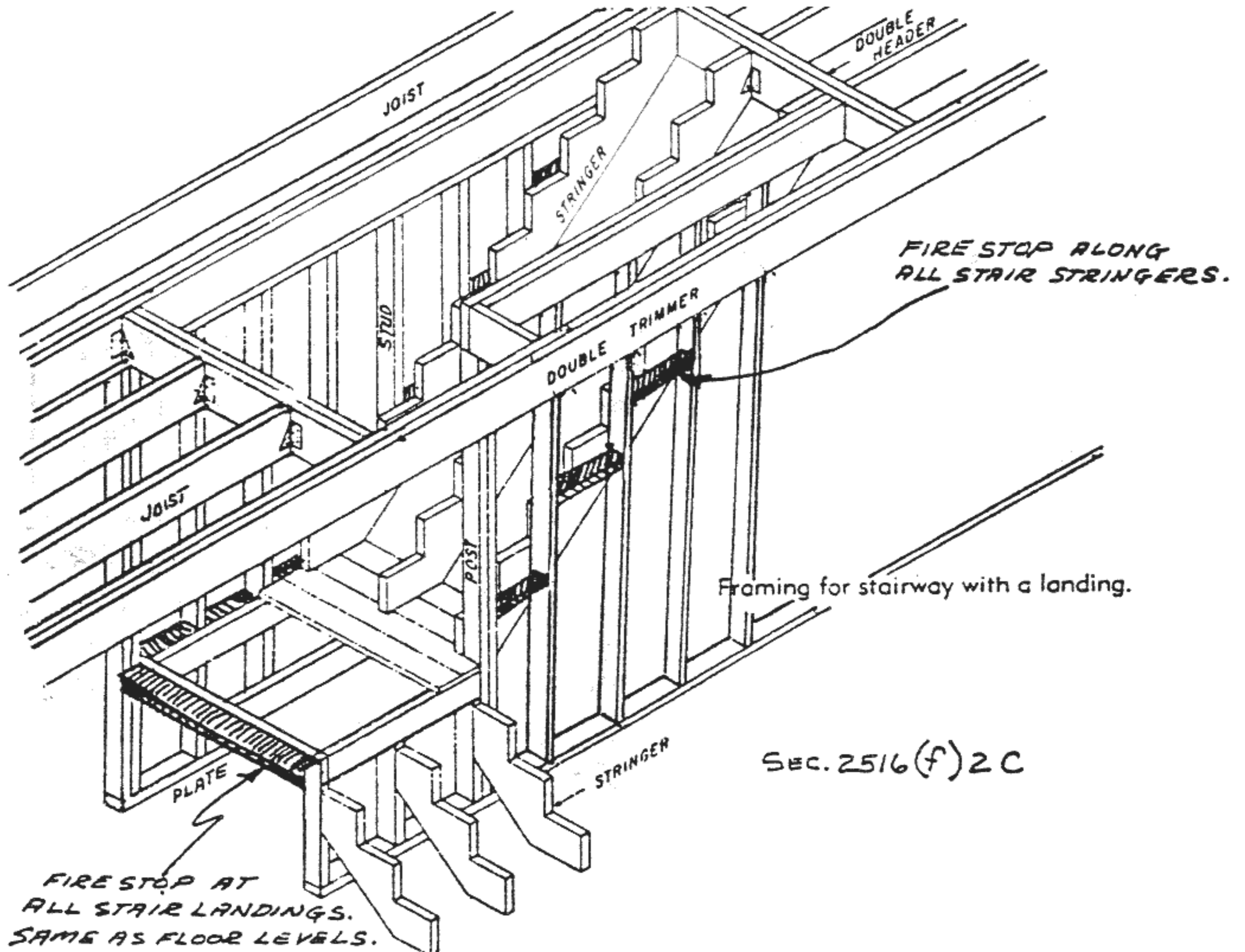
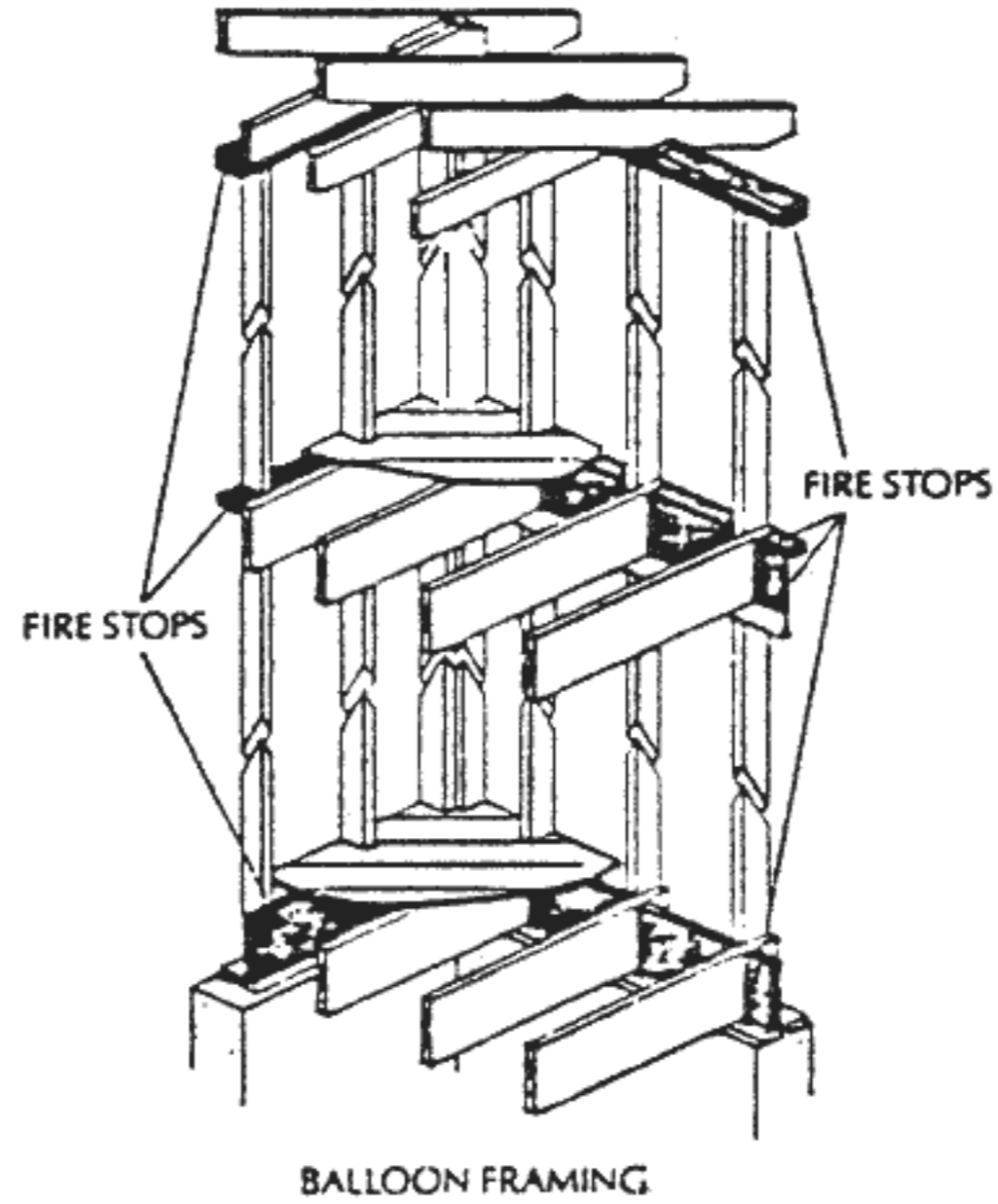
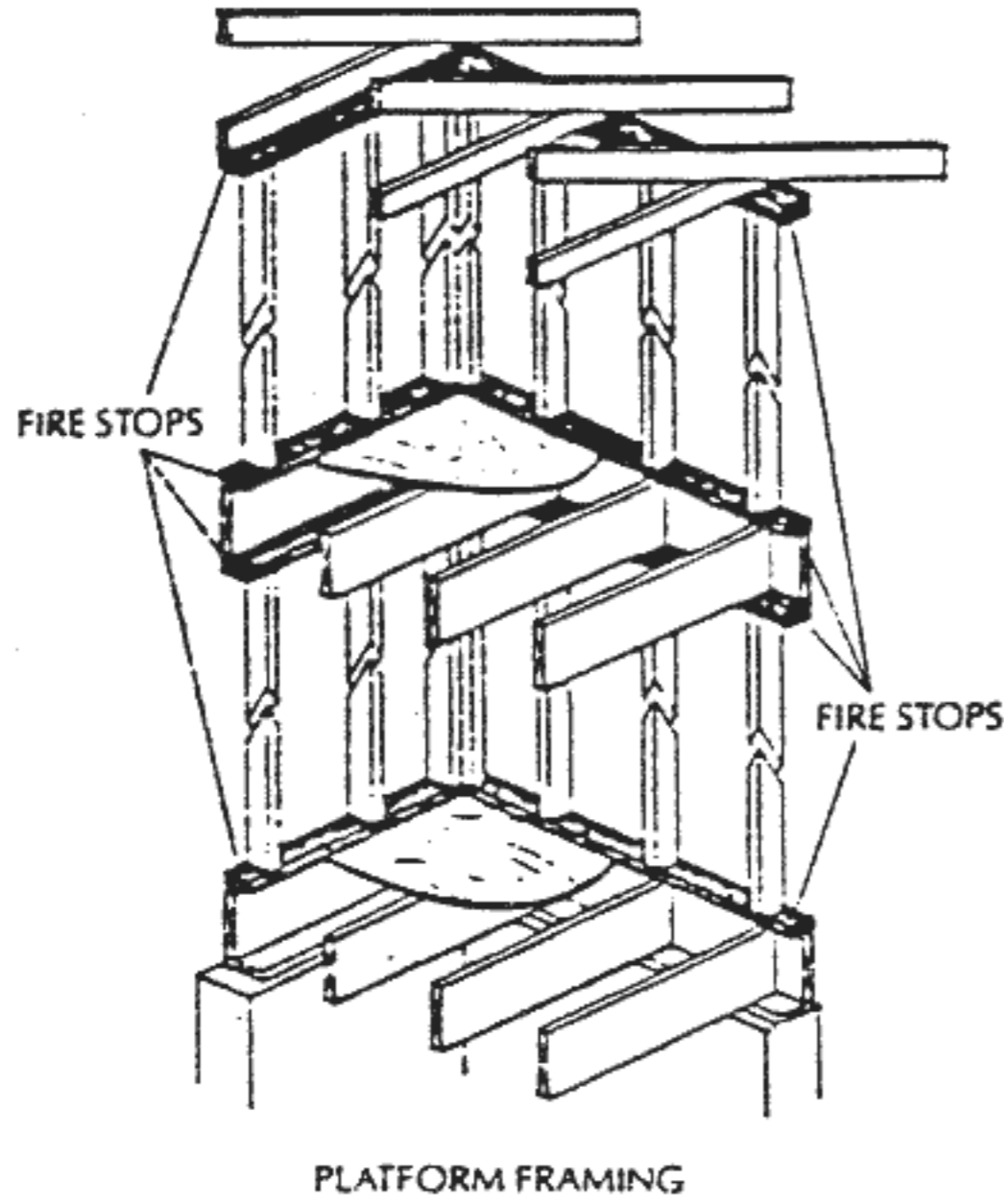


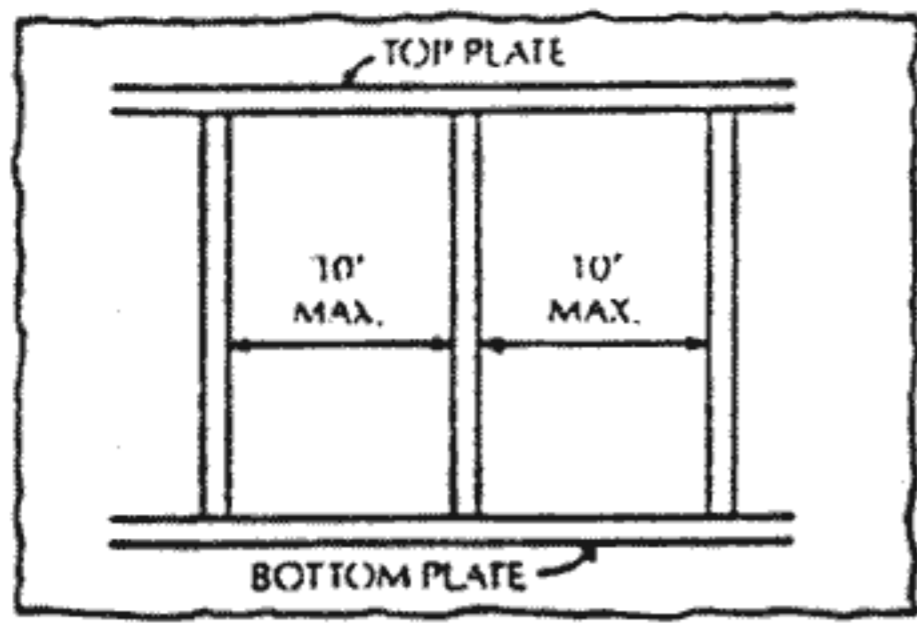
Section 2516 (f)

PCBC47

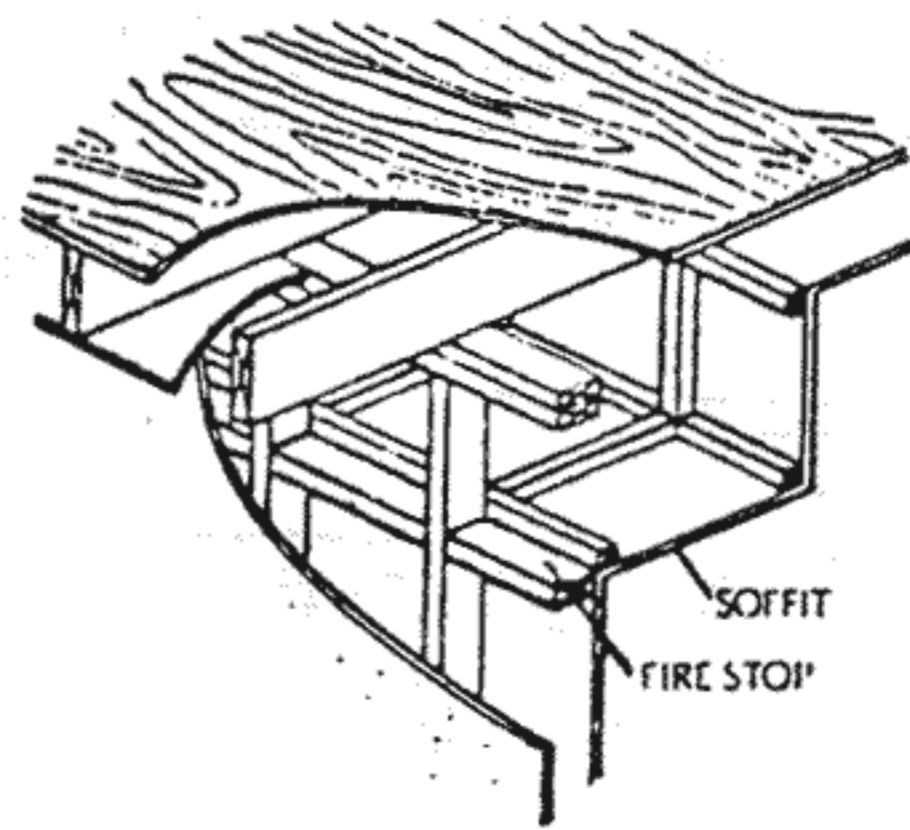
The following diagrams are provided to graphically illustrate the firestopping locational requirements of Section 2516 (f) of the 1982 Uniform Building Code.

FIRE STOPS—CEILING AND FLOOR LEVELS SEC. 2516 (f) 2 A

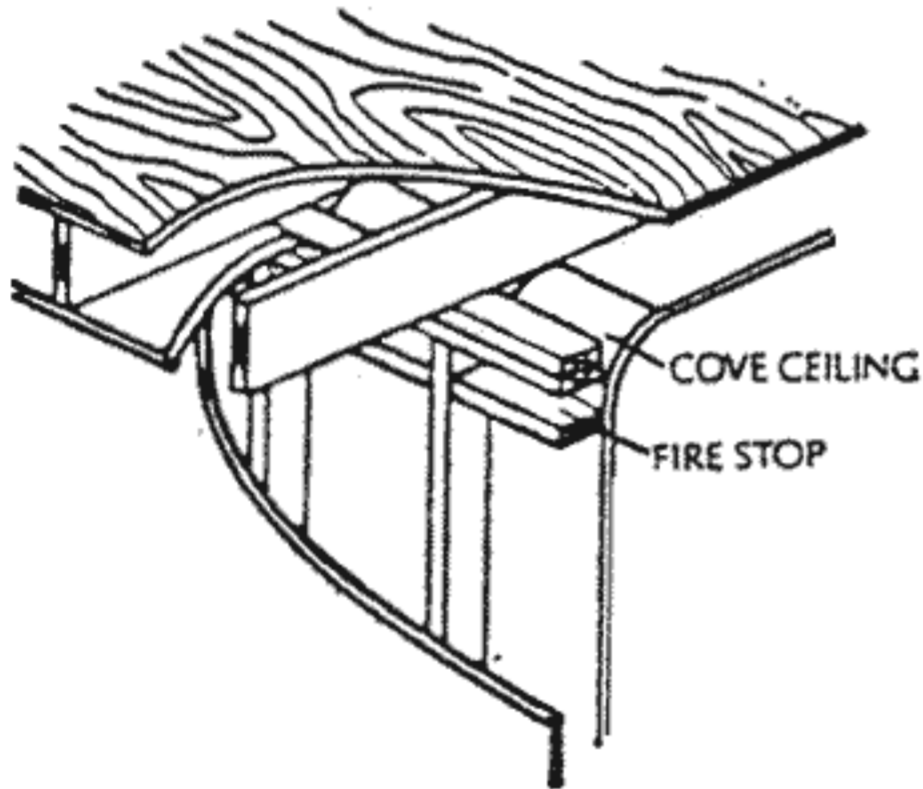




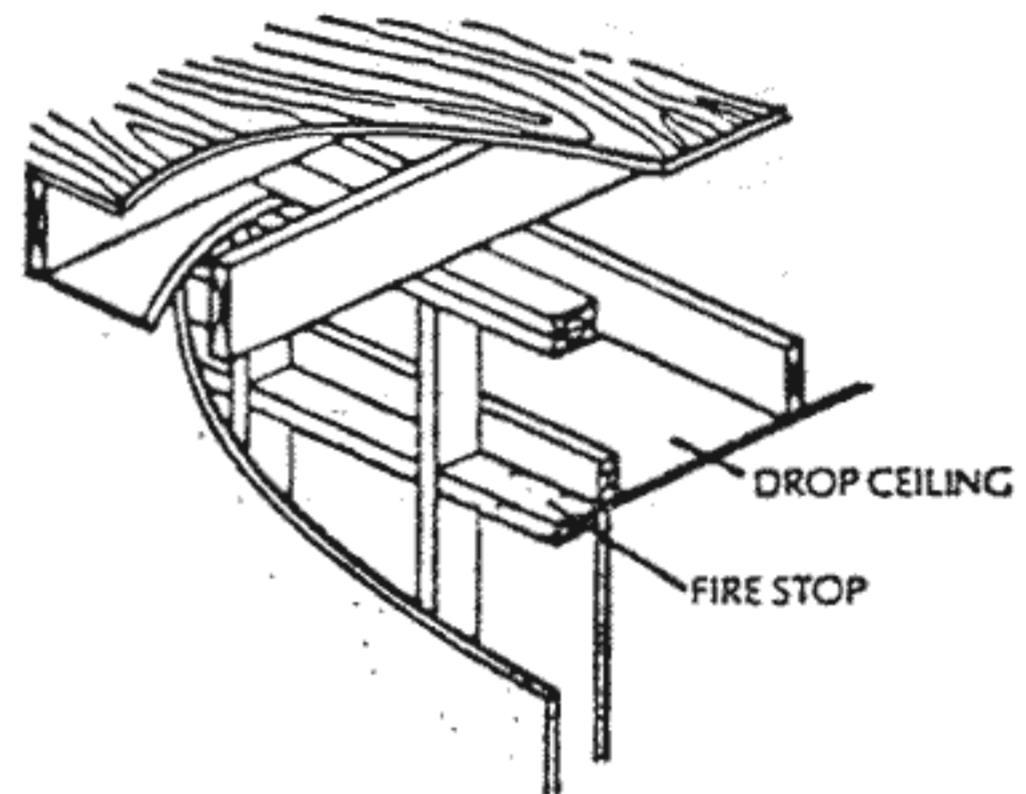
**FIRE STOPS—FURRED OR STAGGERED STUD WALLS
SEC. 2516 (f) 2 A**



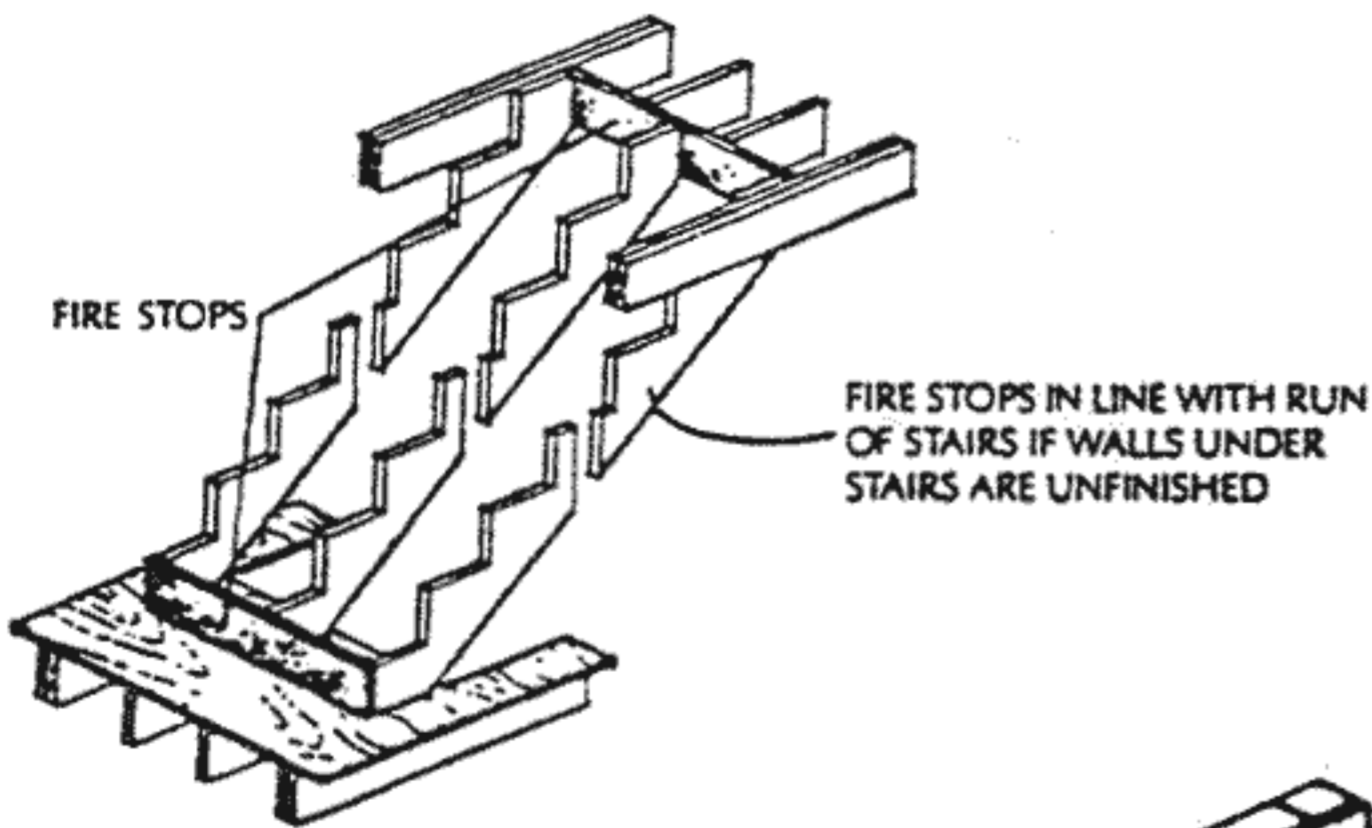
**FIRE STOPS—VERTICAL AND HORIZONTAL SPACE CONNECTIONS
SEC. 2516 (f) 2 B**



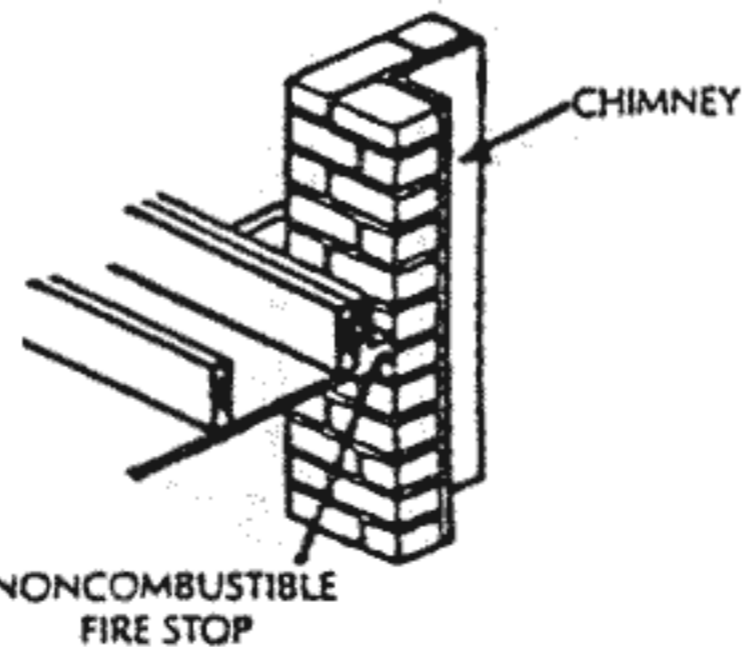
**FIRE STOPS—VERTICAL AND HORIZONTAL SPACE CONNECTIONS
SEC. 2516 (f) 2 B**



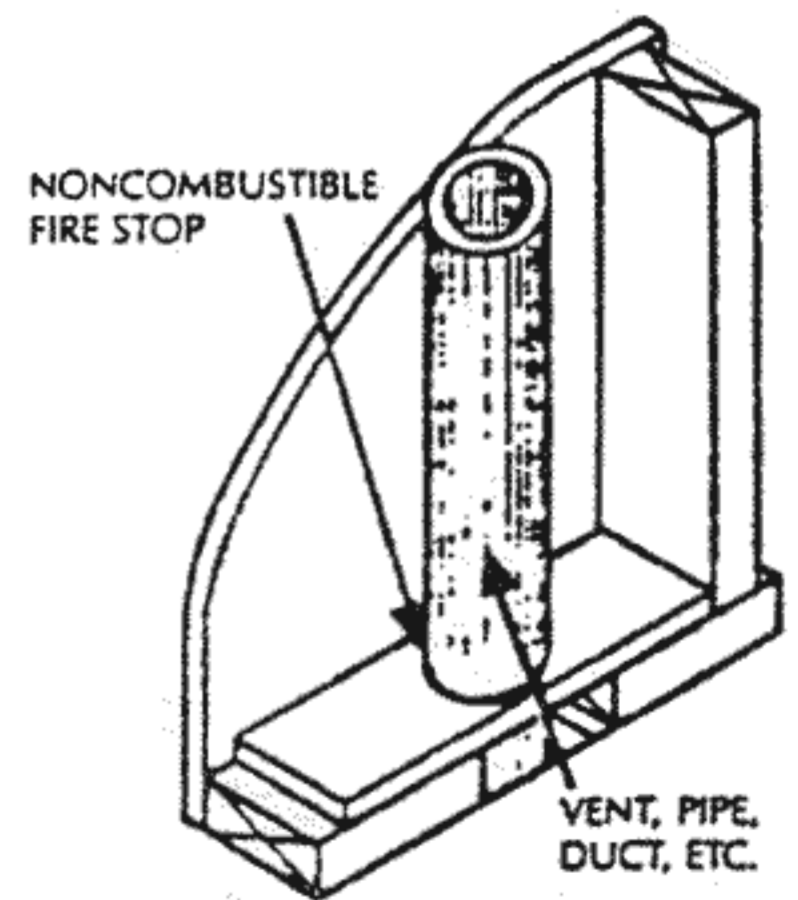
**FIRE STOPS—VERTICAL AND HORIZONTAL SPACE CONNECTORS
SEC. 2516 (f) 2 B**



**FIRE STOPS—STAIR RUNS
SEC. 2516 (f) 2 C**



**FIRE STOPS—PIPES, CHIMNEYS, ETC.
SEC. 2516 (f) 2 D**



**FIRE STOPS—PIPES, CHIMNEYS, ETC.
SEC. 2516 (f) 2 D**